



EP Flex-R

Application

Bright, elegant and flexible.

The EP Flex-R is perfect for any application where just enough light is required for reading or highlighting an area. The luminaire's simple lines and small profile fits most types of décor. Up to 130 Lumen output, has an integral power supply that supports fast and simple installations.



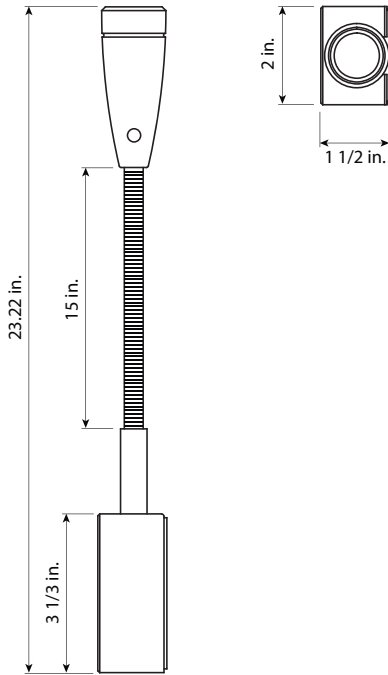
Features

- Integral Power Supply
- Fully Adjustable Flexing Aiming Arm
- Durable Aluminum Construction
- Elegant Satin Finish
- Long Lasting LED Source

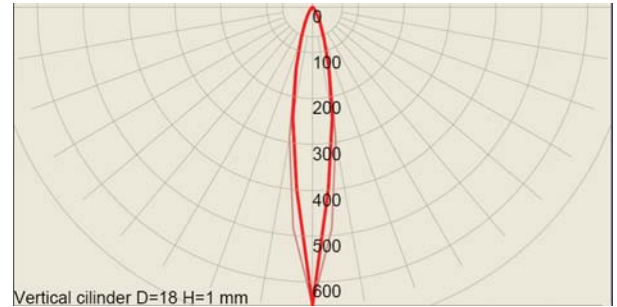
Benefits

- Surface-Mount Adjustable
- Simple Wiring and Easy Installation
- No Light-bulb Replacement
- ETL Certified
- RoHS Compliant

Dimensions



Photometrics



Lamp = 130 lm Max = 650.5 cd

Technical Data

120 V 700 mA	1x3W	LED CREE		
	45°	Driver incl.	Alum.	White 5500 K
1.28 lb				

Lighting Characteristics		Physical Characteristics	
Total Output (Lumens)	130 lm	Length	2.05 inches
Beam Angle	45°	Depth	1.42 inches
Mixing Distance	TBD	Height	23.23 inches
		Weight	1.28 pounds

Electrical Data		Light Source	
Inter-Fixture Connectors	No	Source	CREE XR-E
Maximum Run Length	N/A	Color Temperature	5500 K
Cables	Not included	LEDs per fixture	1
Listings	ETL & cETL per UL 1598 CSA C22.2 No. 250	CRI	75
Driving/Dimming	Built-in / Non-dimmable	LED Source Life	50,000 hours based on LED manufacturer's data.
Line Voltage	120V		

Product Information	
Description	Order Code
3 Watt, 120 VAC, CCT: 5500K with inclusive power supply	EPFLE-3-120-CW-IN-45

Materials	
Housing	Aluminum
Lens	Optically clear polycarbonate
Environment	Dry, IP 20
Temperature Range	-20 °C / +50 °C (-4 °F / + 122 °F)